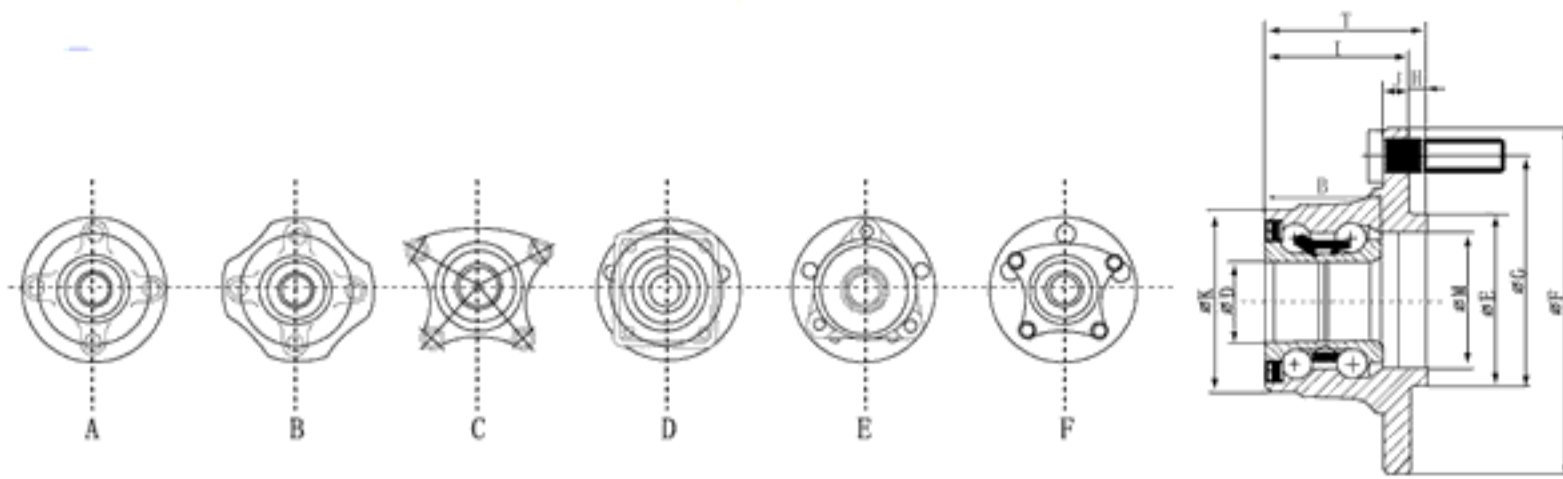


We developed the hub unit in 2000 and we have developed automotive Hub Unit Generation I II & III. The integrated hub bearing unit is now the dominant solution for car and light commercial wheel bearing applications. This family of products has developed into a broad ranging, highly sophisticated set of design solutions.

They are suitable for Various famous Cars. Including Fiat, Benz, Lancia, Seat, Audi, Renault, BMW, Chrysler and also for Volkswagen, Ford, Opel, Toyota, Nissan, Honda, Volvo, GM and Hyundai.



ITEM NO.	Dimension											Flange parameter	
	D	F	B	T	E	M	G	K	H	I	J	Bolts Spec	Qty
TGB.12095.S43	25	132.8	43	73.3	59.94	54.2	100.06	70.8		54	11	M12x1.5	4
HUB184	27	134	50	67.5	58.9	52	100	64.05	15	52.5	9	1/2-20UNF	4
27BWK04J	27	134	50	67.5	52	58.9	100	64.05	15	52.5	9	14	4
HUB184/ABS	27	148	50	68	65.9	59	114.3	64	15.5	52.5	11.5	M12x1.25	4
27BWK06	27	148	50	68	65.9	59	114.3	64.05	15.5	52.5	9	14	4
QH933	27	148	55	73	68	51	144.2	64.7	15.5	57.5	11.6	M12x1.5	4
27BWK03CG	27	148	55	63	66	52	114.3	60	15.6	57.4	11.7	13.9	4
28BWK16	28	120	40	55.5	60	47	100	66	6	49.5	9	M12x1.5	4
HUB144	28	130	40	62.8	54	48	100	63	13.3	49.5	10	12	4
350296	28	134	40	67.5	60	51	114.3	63	18	49.5	9	M12x1.25	4
QH592	28	134	40	60.8	56	51	100	62.3	11.3	49.5	8	M12x1.5	4
DACF1050B	28	125.5	48	70.5	56	49.7	100	63.8	14	56.5	10	M12x1.5	5
28BWK06	28	141	50.4	71	56	48	99.8	68.5	14	57	9	M12x1.5	4
800179	30	120	37	63.7	57	65	100	69.5	19	42.7	10.8	M14x1.5	5
800179B-1	30	120	37	63.7	57	65	100	69.5	19	42.7	10.8	M14x1.5	4
HUB005-64	30	135	40.88	66.34	56	51.05	102	65.96	11.6	46	7.95	M12x1.5	4
HUB005	30	135	40.88	66.34	56	51.05	102	65.96	11.6	46	7.95	M12x1.5	4
HUB005-39	30	135	40.88	66.34	56	51.05	102	65.96	11.6	46	7.95	M12x1.5	4
HUB083-65	30	151.5	40.88	66.82	64.07	58	114.3	65.96	11.55	55.27	9.3	M12x1.5	4
513030	30	120	47	69.5	54	48	100	68.5	13.5	56	8	M12x1.5	4
HUB053	30	122	47	69.3	55	48	100	65	13.3	56	9	M12x1.5	4
DACF1041	30	122	47	69.5	54	48.03	100	68.5	13.3	56.2	8	M12x1.5	4
DACF1041JR	30	122	47	69.5	54	48.03	100	65	13.3	56.2	8	M12x1.5	4
HUB042-32	30	147.9	48	64.5	65.9	52.1	114.3	72	15.5	49	11.6	M12x1.25	4
HUB188-6	30	148	48	66.7	65.9	59	114.3	67	17.7	49	10.5	M12x1.25	4
W5030	30	108	50	54	66	58.3	90	68	10	44	10	M12x1.25	4
DUF4027A	30	123	50	56.5	56	50	100	65	14	56.5	10	M12x1.5	4
DACF1085	30	140	50	72	67	59	114.3	68.9	15.5	56.5	9	14	4
DACF1085-1	30	140	50	72	67	59	114.3	66.5	15.5	56.5	10	M12x1.5	4
DACF1085-5	30	140	50	72	67	59	102	68.9	15.5	56.5	10	M6x1.0	4
QH1001	30	120	52	70.5	59	52	98	73.6	15.8	54.7	14	M14x1.5	5
H20053	30	142	55	82.45	56.5	48.05	114.3	68.45	20.05	62.4	12.7	12.6	5
JCH213039	30	148	55	72.5	65.9	59	114.3	67	15.5	57	12	M12x1.25	4
H24047	30	138.8	56	67.4	56	51	100	66	11.5	55.9	9.3	12.1	4
QH534	31	119.9	40	61	57	50	100	72	19	41.5	12.5	M12x1.5	4
HUB059	31.76	108	52	72	63	57.8	108	74.9	18	72	11	M12x1.5	5
444450E	32	128	34	58	64.94	60	107.74	81	16	42	12.4	M12x1.25	4
TGB12894	32	129	34	58	64.94	60	107.74	82	16	42	12.4	M12x1.25	4
TGB401755S06	32	129	38	59.26	65	59.5	107.74	73	17.06	42.2	12.2	M12x1.25	4
DACF1034AR-2	33	140.1	47	78.66	66.97	58.67	114.35	71.72	13.92	64.74	5.9	M12x1.5	4
DACF1034AR-3	33	140.1	47	78.66	66.97	58.67	114.35	71.72	13.92	64.74	5.9	M12x1.5	4
HUB066	33	139.5	51	63.5	66.9	58	114.5	70.9	14.5	59	11.35	M12x1.5	4
QH860	35	136	42	70.2	63.6	56.2	108	74	18.2	51.5	9.8	M12x1.5	4
QH603	35	136.4	45	74	65	57	109.9	80.8	25	49	12	M12x1.5	5
36BWK02	36	139.9	62	77	67	60	114	84.5	18.8	58.2	10	M12x1.5	5
576681	37	138.9	44.85	65.1	72.5	66	120	79	19.5	44.9	11	M12x1.5	5
513014	37	151.3	52	73	70.5	64	114.3	78	21	52	10	M12x1.5	4
513017	39	153	37	50	76.2	63	98	72.5	17.9	27	9.5	12.7	3
580494	45	123.8	41	41	90	80.3	106	91.5	3.8	37.2	10.5	M10x1.0	4