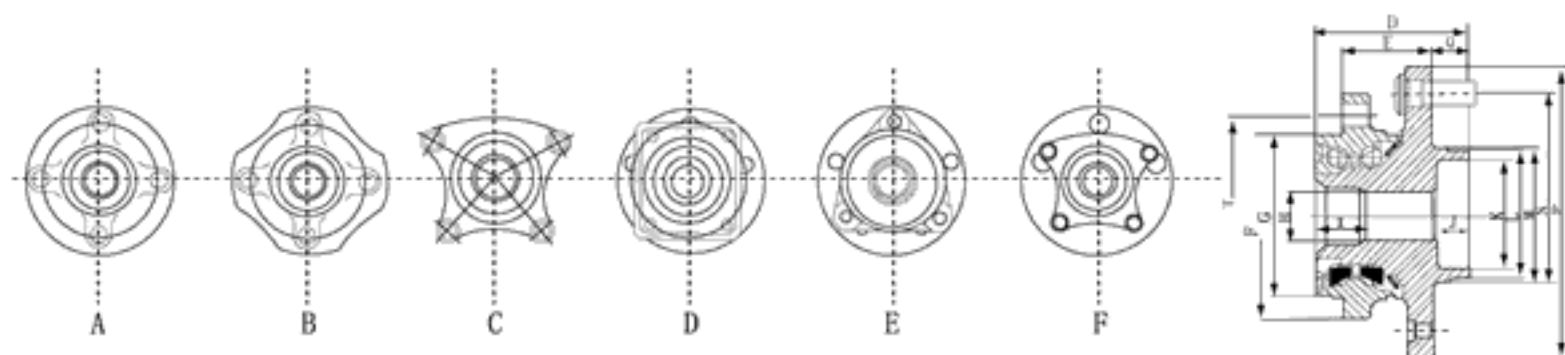


We developed the hub unit in 2000 and we have developed automotive Hub Unit Generation II & III. The integrated hub bearing unit is now the dominant solution for car and light commercial wheel bearing applications. This family of products has developed into a broad ranging, highly sophisticated set of design solutions.

They are suitable for Various famous Cars. Including Fiat, Benz, Lancia, Seat, Audi, Renault, BMW, Chrysler and also for Volkswagen, Ford, Opel, Toyota, Nissan, Honda, Volvo, GM and Hyundai.



| ITEM NO. | Dimension | | | | | | | | | | | | | | Flange parameter | |
|--------------|-----------|-------|-------|-------|--------|-------|-------|-------|-------|------|-------|-------|-------|-------|------------------|-----|
| | D | P | E | Q | T | F | G | H | I | J | K | L | M | N | Bolts Spec | Qty |
| 512001 | 156.8 | 138 | 65 | 12 | — | 88.7 | 61 | — | — | — | — | 57 | 58 | 100 | M12X1.5 | 5 |
| D3 | 73.9 | 139 | 51.1 | 19 | 106 | — | 85 | — | — | — | — | 74 | 79 | 120 | — | — |
| QH876 | 140 | 136 | 77.67 | 22 | 84 | 81.6 | 67.2 | — | — | — | — | — | 56.5 | 99.6 | — | — |
| 513087 | 89.2 | 145.6 | 41.5 | 20.5 | 116 | — | 89.9 | 34.29 | — | 23.5 | 59 | 70.1 | 70.6 | 116 | M12X1.5 | 5 |
| QH861 | 127 | 136 | 63.15 | 19.77 | 112 | 86 | 83 | 25.7 | — | 28.5 | 55.8 | 63.2 | 63.5 | 107.5 | M12X1.5 | 4 |
| QH877 | 100.5 | 136 | 77.9 | 22.6 | 84 | 81.6 | 67.2 | — | — | — | — | — | 56.5 | 99.6 | M12X1.5 | 4 |
| D3-7 | 62 | 145.4 | 41.94 | 20 | 109.8 | 73.5 | — | 38.8 | 8.8 | 14.7 | 52 | 70.1 | 70.6 | 116 | M12X1.5 | 5 |
| D3-8 | 80.01 | 125 | 44 | 17.5 | 98 | 89.9 | 72.38 | 29.1 | 16.6 | 13.5 | 42 | 57 | 58.32 | 100 | M12X1.5 | 5 |
| 513012 | 126.3 | 138 | 64.82 | 12 | 88 | 85 | 61 | — | — | — | — | 57 | 57.5 | 100 | M12X1.5 | 5 |
| 512000 | 126.3 | 138 | 64.82 | 12 | 88 | 85 | 61 | — | — | — | — | 57 | 57.5 | 100 | M12X1.5 | 5 |
| 513121E | 89 | 145.6 | 41.5 | 20.5 | 116 | — | 77.5 | 34.29 | — | 23.5 | 59 | 70.1 | 70.6 | 116 | M12X1.5 | 5 |
| DH559335 | 66 | 153.5 | 54 | 12 | 120.65 | 130.5 | 91.8 | 30 | 45 | 17 | 61 | 71.42 | 71.88 | 114.3 | 1/2-20UNF | 5 |
| 513121-1 | 89.2 | 145.6 | 41.5 | 20.5 | 116 | — | 89.9 | 34.29 | — | 23.5 | 59 | 70.1 | 70.6 | 116 | M12X1.5 | 5 |
| WH-UA | 123.5 | 148 | 59 | 13.5 | 100 | 123 | 65.9 | — | — | — | — | 66.9 | 75.9 | 114.3 | M12X1.5 | 4 |
| HYUWDAZ | 115.8 | 148 | 59 | 14 | 100 | — | 66 | — | — | — | — | 66.9 | 75.9 | 114.3 | M12X1.5 | 4 |
| 513124 | 92 | 145.5 | 47 | 20 | 120 | 123.7 | 81.8 | 28 | 5 | 17 | 62.7 | 70.1 | 70.6 | 120 | M12X1.5 | 5 |
| 801344D | 85 | 131 | 70.15 | 20.5 | 95 | — | 74 | — | — | 18 | 51 | 57 | 68 | 112 | M14X1.5 | 5 |
| QH978 | 76.75 | 135.6 | 42.81 | 18.92 | 108 | 104.7 | 81.7 | 25 | 21 | 16.8 | 56.3 | 64.3 | 67.92 | 108 | M12X1.75 | 4 |
| BABB636215AA | 77.8 | 139 | 37.55 | 16.78 | 85.76 | — | 87 | 27 | 15.93 | 15.5 | 61.95 | 70.4 | 73.25 | 114 | M10X1.5 | 4 |
| 30BWK16 | 89.7 | 99 | 75 | 14.7 | — | — | — | — | — | — | — | 60 | 62 | 114 | M12X1.5 | 5 |
| H15007 | 71.5 | 143 | 40.43 | 15.5 | — | — | 84 | — | — | 6 | 57 | 67 | — | 114.3 | M12X1.5 | 4 |
| CV9-15007002 | 123.8 | 142 | 78 | 22 | — | 110 | 64 | — | — | 9 | — | 63.25 | 65 | 110 | M12X1.5 | 5 |
| CV9-15007001 | 84 | 132 | 38 | 23 | 110 | 98 | 87.8 | 30 | 12.7 | 21 | 53.5 | 63.25 | 64 | 110 | M12X1.5 | 5 |
| JLM603048F | — | 153.8 | 54 | 12 | 120 | — | 100 | — | 17.1 | 17 | 53 | 71.42 | 71.88 | 114.3 | 15.24 | 5 |